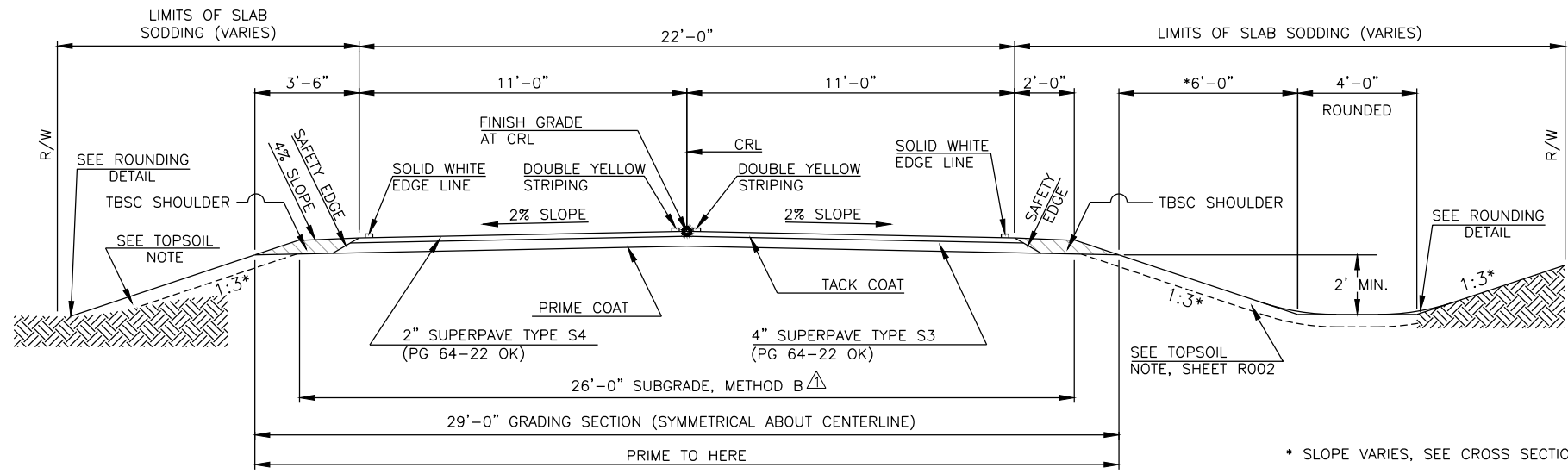


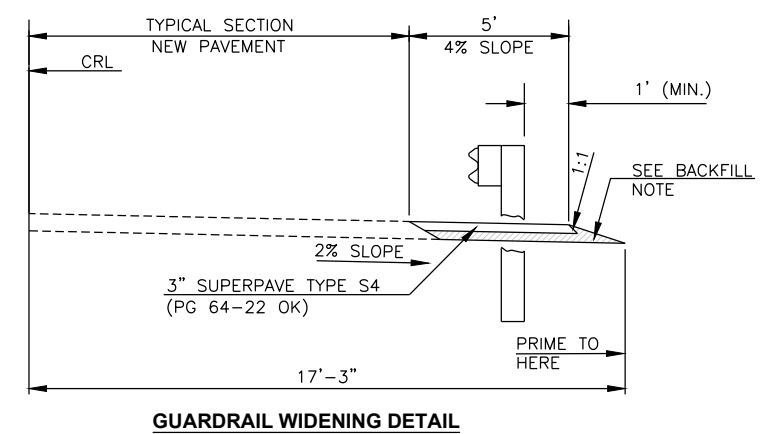
DESCRIPTION	REVISIONS	DATE
△ ADDED SUBGRADE, METHOD B		10/11/17
△ SPACING UPDATED TO 3'-4"		10/11/17



EROSION CONTROL AND CONSTRUCTION NOTES

SEE EROSION CONTROL PLAN, SHEET NO. R002, FOR EROSION CONTROL, CONSTRUCTION AND TOPSOIL NOTES.

BACK FILL NOTE: SHOULDERS SHALL BE BACK FILLED WITH TBSC AND COMPACTED AS PART OF THE FINISHING OPERATION. REQUIRED AMOUNT OF TBSC FOR CRL TYPICAL SECTION IS 0.17 TONS/LF.



* SLOPE VARIES, SEE CROSS SECTIONS.

